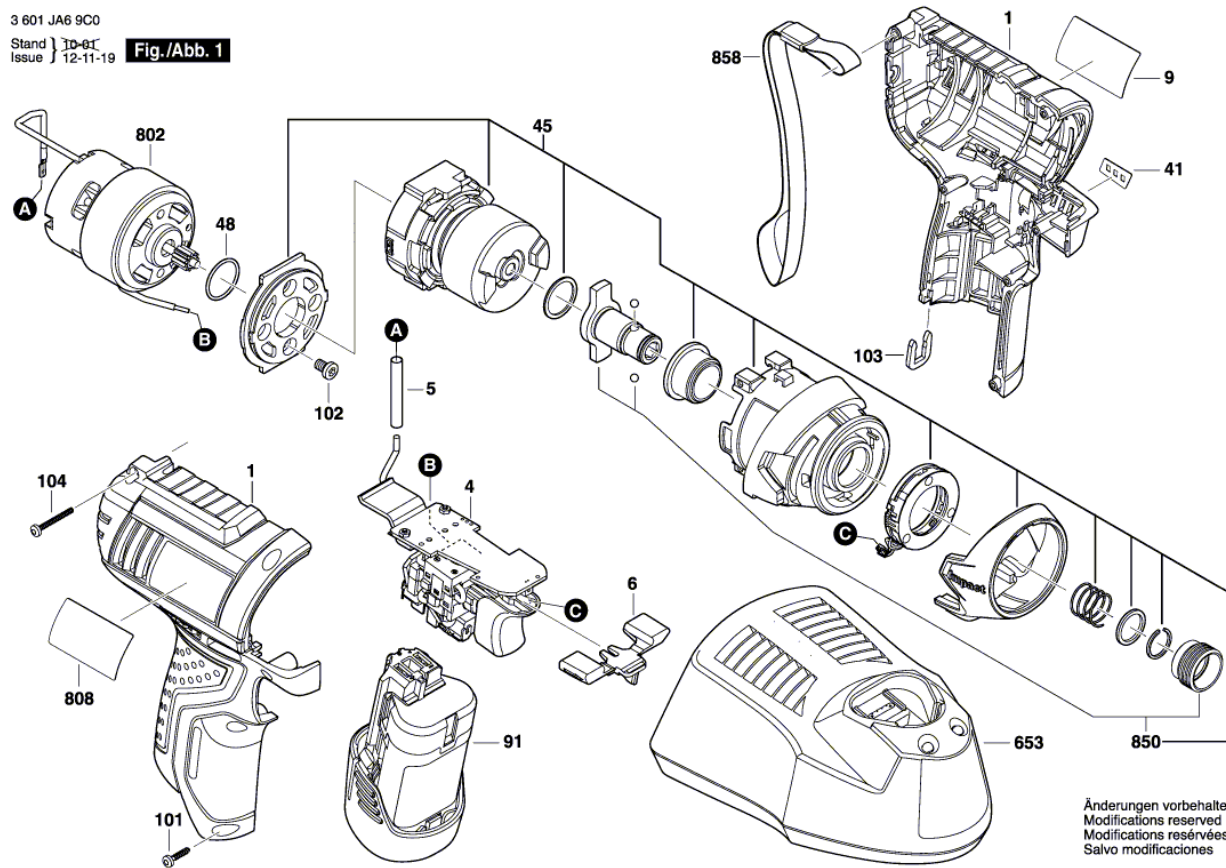


Illustration - Type - E

3 601 JA6 901
 Stand | 10-01
 Issue | 12-11-19

Fig./Abb. 1



Spare parts list

Item	Part Number	Description	Illustration
1	2 609 100 816	Housing BLUE	1
4	1 607 233 5DD	Electronics Module	1
5	2 609 170 134	Shrinkable Tube	1
6	2 609 100 817	Adjusting Slide	1
9	1 601 11C 1LV	Manufacturer's nameplate GDR 12V-105	1
41	2 609 132 846	Sticker	1
45	2 609 199 241	Gear Box	1
48	2 609 170 121	Seal Ring	1
91	1 607 A35 049	Battery Pack 12V, 2,5Ah, LI GBA	1
91	1 607 A35 0C5	Battery Pack GBA 12V 2.0Ah Li SCM	1
101	2 609 110 883	Screw	1
102	2 609 110 950	Torx Flat-Head Screw	1
103	2 609 110 537	Clip	1
104	2 609 110 991	Pan head screw	1
653	2 607 226 101	Fast Charger EU GAL 1230 CV 230/12V	1
653	2 607 226 105	Fast Charger GB GAL 1230 CV 230/12V	1
653	2 607 226 139	Charger set AUS GAL 1230 CV 240/12V	1
802	2 609 199 281	DC motor 10,8V	1
808	1 601 11A 4FJ	Nameplate	1
850	2 609 199 319	Coupling Half	1
858	2 609 170 129	Carrying Loop	1